

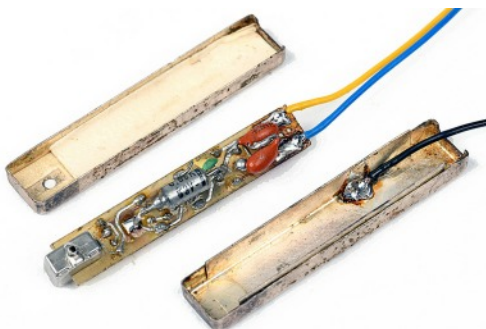
'Securitate' bug Country of origin: Romania

DATA SUMMARY

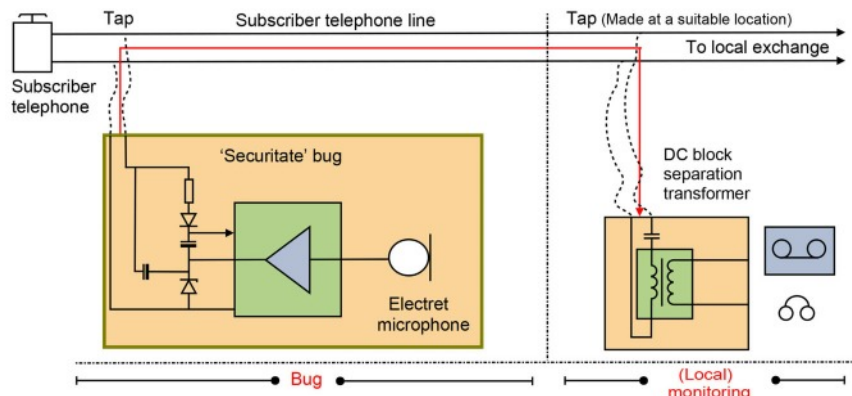
Organisation: Securitate, Romania.
Design/Manufacturer: Probably Romanian General Directorate for Technical Operations.
Year of Introduction: About 1978/1979.
Purpose: Miniature line based covert room interception bug for use over a standard subscriber telephone line.
Associated listening device: Unknown.
Microphone: Subminiature Knowles electret.
Power supply: 40-65V DC, (nominally 48V) derived from the telephone line when not engaged.
Dimensions (mm): Height 8, width 9, length 46.
Weight: 6 grams.

Remarks

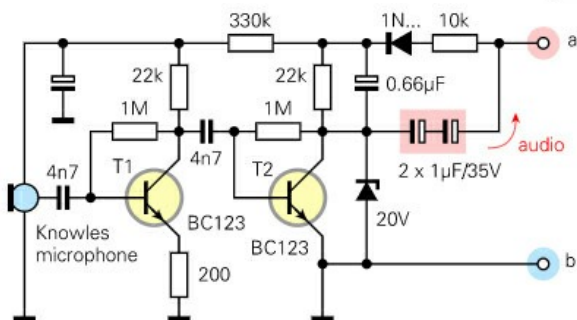
Provisionally known as 'Securitate' bug, this device was a simple sub-miniature AF amplifier with a built-in electret microphone for covert room audio surveillance. The standard (analogue) subscriber telephone line was used as a transmission medium between the bug and monitoring point. The bug, which could be concealed in the telephone terminal block or any suitable place, received its power from the nominal 48V telephone line voltage. When the line was engaged (hand-set off hook) the voltage dropped and the amplifier was disabled. It was constructed using exclusively Western made components. When taking the classification on GDR (East German) line based bugs as a guide (see Chapter 163-1 and 163-7), the 'Securitate' bug can be classified as a combination of the audio frequency bug NF-B (1) 33406 (Chapter 164-2) and subscriber telephone based bugs TF-B tx (2B) Telephone 33010/33014 (Chapters 168/170). The main difference between the GDR series of subscriber telephone bugs was the absence of an FM carrier in the 'Securitate' bug which made this bug vulnerable to detection. This was eventually the reason that a (forgotten) bug, *now in the collection of the Crypto Museum*, was found many years later.



Top view of the opened 'Securitate' bug. It was housed in a silver-plated brass case that consisted of two halves, held together by a piece of tape.



Block diagram of the 'Securitate' bug system.



Circuit diagram of the 'Securitate' line based bug.

References:

- Photographs, circuit diagram and information was published with kind permission of the Crypto Museum, Eindhoven, Holland. For in-depth historical and further information of the bug: <https://www.cryptomuseum.com/covert/bugs/securitate/index.htm>
- *BUGS, telephone and room audio surveillance systems of the Stasi*, Louis Meulstee and Detlev Vreisleben, 2019, isbn 978-90-829965-0-0.
- *WftW Vol. 4*, Supplement, Chapters 163, 164, 168-170.